

Introducing Thermal Transfer MAR-232-210594 and MAR-248-210605

It is becoming more difficult for Mobile OEMs to design, develop, and manufacture equipment that can dissipate additional heat loads. That is why SunSource has partnered with premier heat exchanger and fan drive manufacturers, such as Thermal Transfer, to provide the most complete line of products for machine cooling.

In addition to our standard SunSource cooler (MA-32-209341) we have added two new coolers to our Stocked Sales Standards in Savage, MN. The MAR-232-210594 is the dual core / fan standard for higher heat applications and the MAR-248-210605 for extreme heat loads that require a 12 VDC fan circuit.

These SunSource standard products are common Thermal Transfer Products coolers that are used by many of our Mobile customers. They include 12 VDC dual fans with a 19.3 amp draw per fan and an internal 60 PSI bypass.

The TTP MAR-232-210594 is a direct replacement for the following competitors:

- AKG series DC-45-12/24
- Oil Air series OAD-23
- Hydac series ELD-5

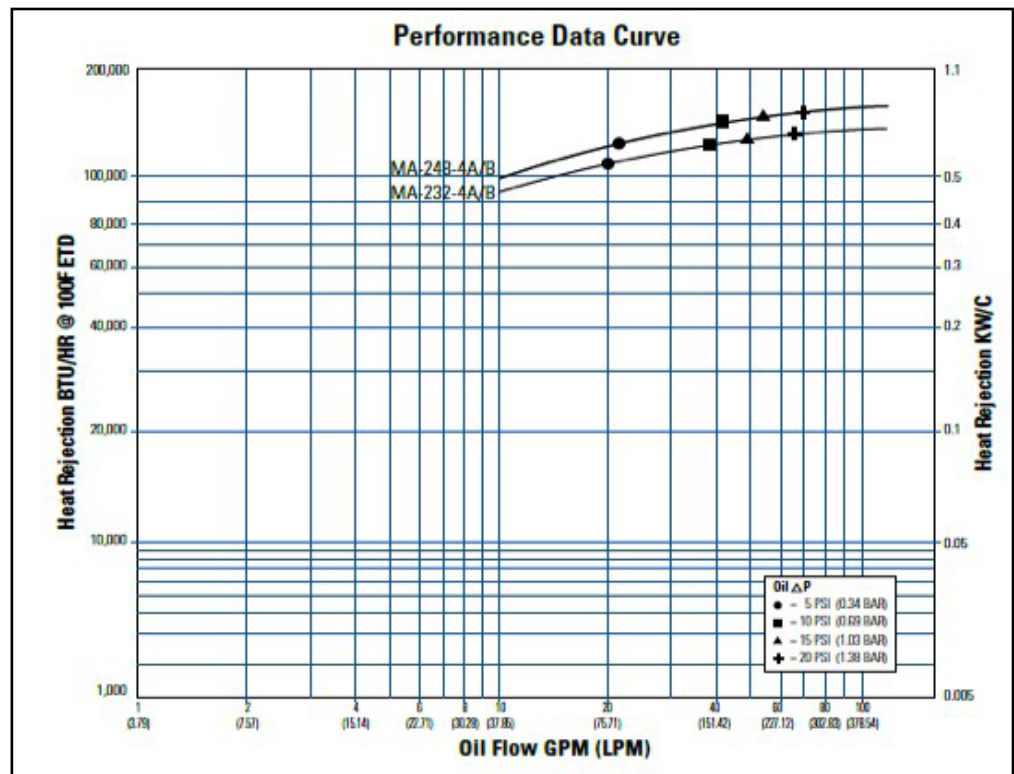
The TTP MAR-248-210605 is a direct replacement for the following competitors:

- AKG series DC-60-12/24
- Oil Air series OAD-33
- Hydac series ELD-6

SunSource can provide a vast array of sensors that will work with your system.

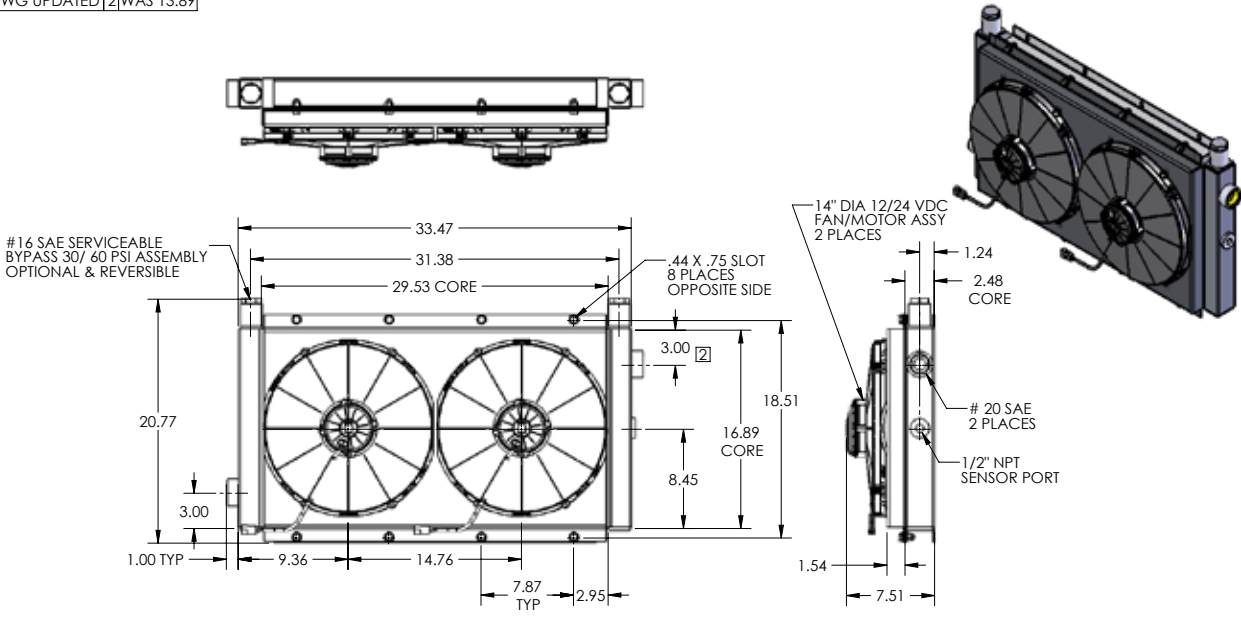


MAR-232-210594
MAR-248-210605



For information on these or any other coolers please contact us at 800-953-9264 or CoolingSolutions@sunsrce.com

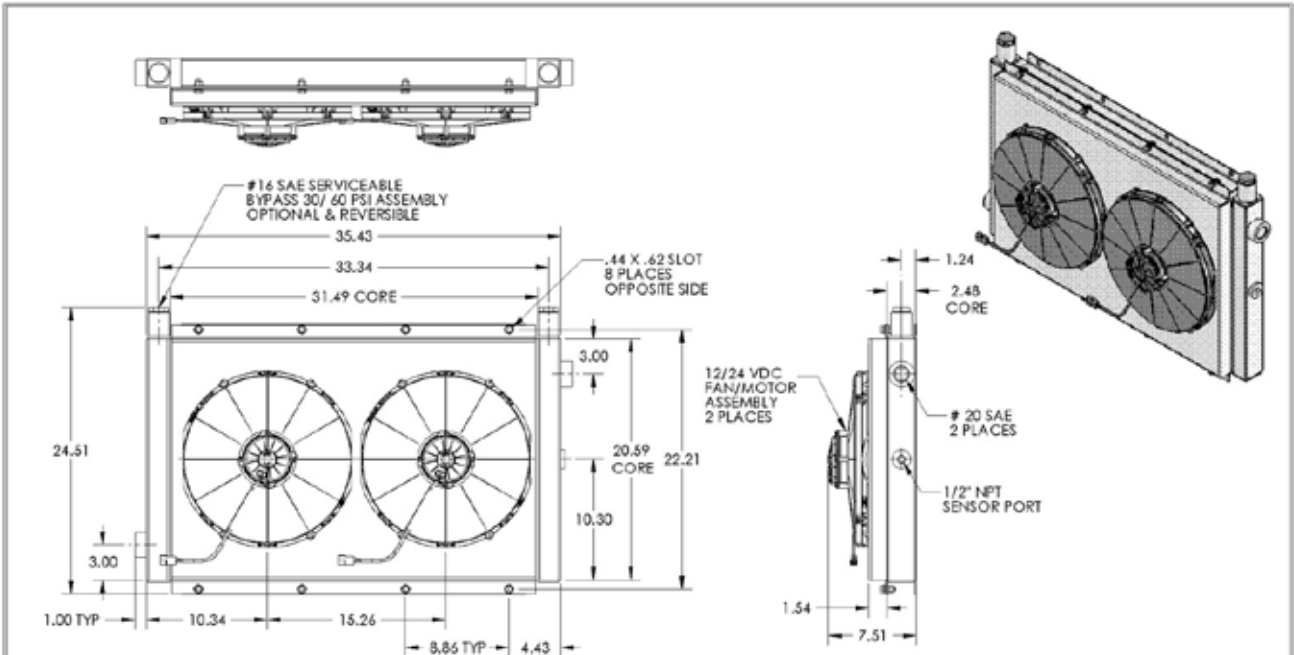
1 DWG UPDATED 2 WAS 13.89



SunSource Part # MAR-232-210594

PROPRIETARY AND CONFIDENTIAL
THE INFORMATION CONTAINED IN THIS DRAWING IS THE SOLE PROPERTY OF THERMAL TRANSFER PRODUCTS. ANY REPRODUCTION IN PART OR AS A WHOLE WITHOUT THE WRITTEN PERMISSION OF THERMAL TRANSFER PRODUCTS IS PROHIBITED.

TOLERANCES EXCEPT WHERE NOTED		 Thermal Transfer Products A ThermoSys Company		DWG. NO. NB-209780
INCHES ±.19 MILLIMETERS ±.48		DESCRIPTION INSTALLATION DRAWING MAR-232-2-4A/4B-30/60		
DIMENSIONS IN [] ARE MILLIMETERS		SUPS. SCALE DATE DATED N/A 9/16/08		REV 2
MATERIAL REF ASSEMBLY		D R N C H P DE H C A P		



SunSource Part # MAR-248-210605

PROPRIETARY AND CONFIDENTIAL
THE INFORMATION CONTAINED IN THIS DRAWING IS THE SOLE PROPERTY OF THERMAL TRANSFER PRODUCTS. ANY REPRODUCTION IN PART OR AS A WHOLE WITHOUT THE WRITTEN PERMISSION OF THERMAL TRANSFER PRODUCTS IS PROHIBITED.

TOLERANCES EXCEPT WHERE NOTED		 Thermal Transfer Products A ThermoSys Company		DWG. NO. NB-209781
INCHES ±.19 MILLIMETERS ±.48		DESCRIPTION INSTALLATION DRAWING MAR-248-210605		
DIMENSIONS IN [] ARE MILLIMETERS		SUPS. SCALE DATE DATED N/A 9-18-08		REV 2
MATERIAL REF ASSEMBLY		D R N C H P DE H C A P		